

MODEL
DS18DE

HIKOKI

CORDLESS DRIVER DRILL DS18DE

Item No.	Code No.	Description	No. Used	Remarks
1	379124	HEXALOBULA SCREW (LEFT HAND) M6	1	
2	335961	DRILL CHUCK 13VLRU-N (W/O CHUCK WRENCH)	1	
3	379111	GEAR BOX ASS'Y	1	INCLUD. 4-28
4	379123	CLUTCH DIAL (S)	1	
5	327146	CLICK SPRING	1	
6	379114	NUT	1	
7	370607	SPRING	1	
8	370603	THRUST PLATE	1	
9	379113	SPINDLE	1	
10	370608	SHIFT ARM	1	
11	379112	GEAR CASE	1	
12	379268	NEEDLE ROLLER (A) SET D2.2 (2 PCS.)	2	
13	328717	WASHER (B)	1	
14	370609	LOCK RING	1	
15	319744	ROLLER	4	
16	306936	STEEL BALL D5	6	
17	379116	RING GEAR	1	
18	379115	CARRIER	1	
19	379267	PLANET GEAR (C) SET (5 PCS.)	5	
20	379117	SHIFT DOG	1	
21	379119	SLIDE RING GEAR	1	
22	379118	PINION (C)	1	
23	379269	PLANET GEAR (B) SET (4 PCS.)	4	
24	379120	PINION (B)	1	
25	370614	PLANET GEAR (A) SET (4 PCS.)	4	
26	370604	FIRST RING GEAR	1	
27	379121	WASHER (B)	1	
28	379122	MOTOR SPACER	1	
29	341137	STATOR CONTROLLER ASS'Y	1	INCLUD. 39, 40
30	361190	ROTOR PINION ASS'Y	1	INCLUD. 31
31	379110	MOTOR PINION	1	
32	379104	SHIFT KNOB	1	
33		NAME PLATE	1	
34	313687	TAPPING SCREW (W/FLANGE) D3X16 (BLACK)	11	
35	379108	TAIL COVER	1	
36	373041	REAR BUMPER	2	
37	339768	PUSHING BUTTON	1	
38	379106	HOUSING (A).(B) SET	1	
39	379109	DC-SPEED CONTROL SWITCH	1	
40	339769	BATTERY TERMINAL	1	
41	379397	HOOK ASS'Y	1	INCLUD. 42, 43
42	337357	TRUSS HD. SCREW M4 (BLACK)	1	
43	372229	HOOK	1	
44	306952	STRAP (BLACK)	1	
*45	378679	BATTERY BSL 1840M (EUROPE,AUS,NZL)	2	INCLUD. 502
*45	378678	BATTERY BSL 1840M (CHN)	2	INCLUD. 502
*45	378683	BATTERY BSL 1850MA (EUROPE,AUS,NZL)	2	INCLUD. 502
*45		BATTERY BSL 1850MA (TPE)	2	INCLUD. 502
*45	371750	BATTERY BSL 36A18 (EUROPE,AUS,NZL)	2	INCLUD. 502
		STANDARD ACCESSORIES		
*501		CHARGER (MODEL UC 18YFSL)	1	
*501		CHARGER (MODEL UC 18YSL3)	1	

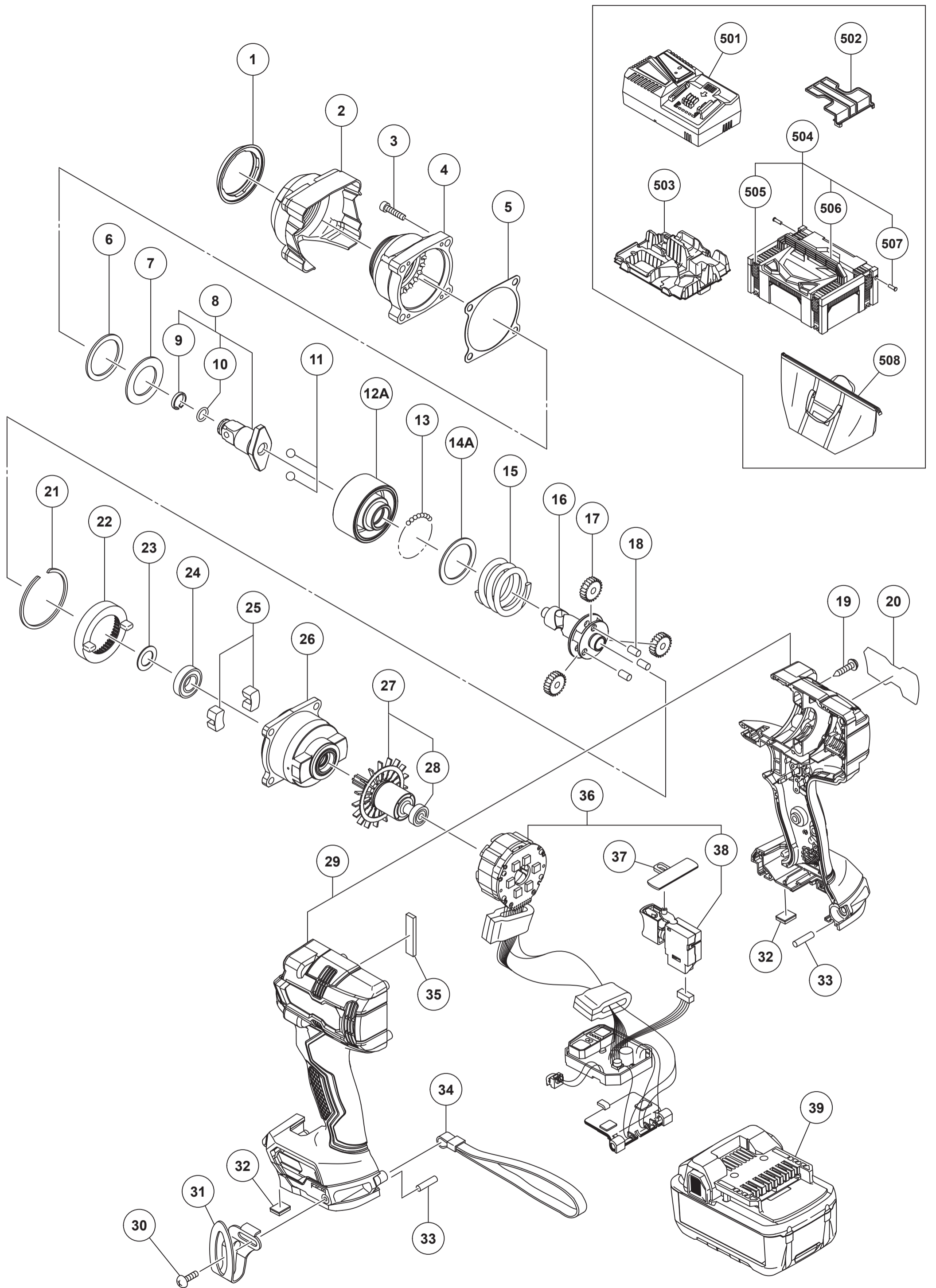
* ALTERNATIVE PARTS

HIKOKI

CORDLESS DRIVER DRILL DS18DE

Item No.	Code No.	Description	No. Used	Remarks
502	329897	BATTERY COVER	1	
503	379126	INNER TRAY (C)	1	
504	379251	CASE	1	
505	379127	INNER TRAY (S)	1	
506	336471	CASE ASS'Y (STACKABLE 2)	1	INCLUD.507-509
507	336472	LATCH	4	
508	336473	HANDLE	1	
509	336474	HINGE	2	
510	983006	+ DRIVER BIT NO.2 65L	1	

* ALTERNATIVE PARTS

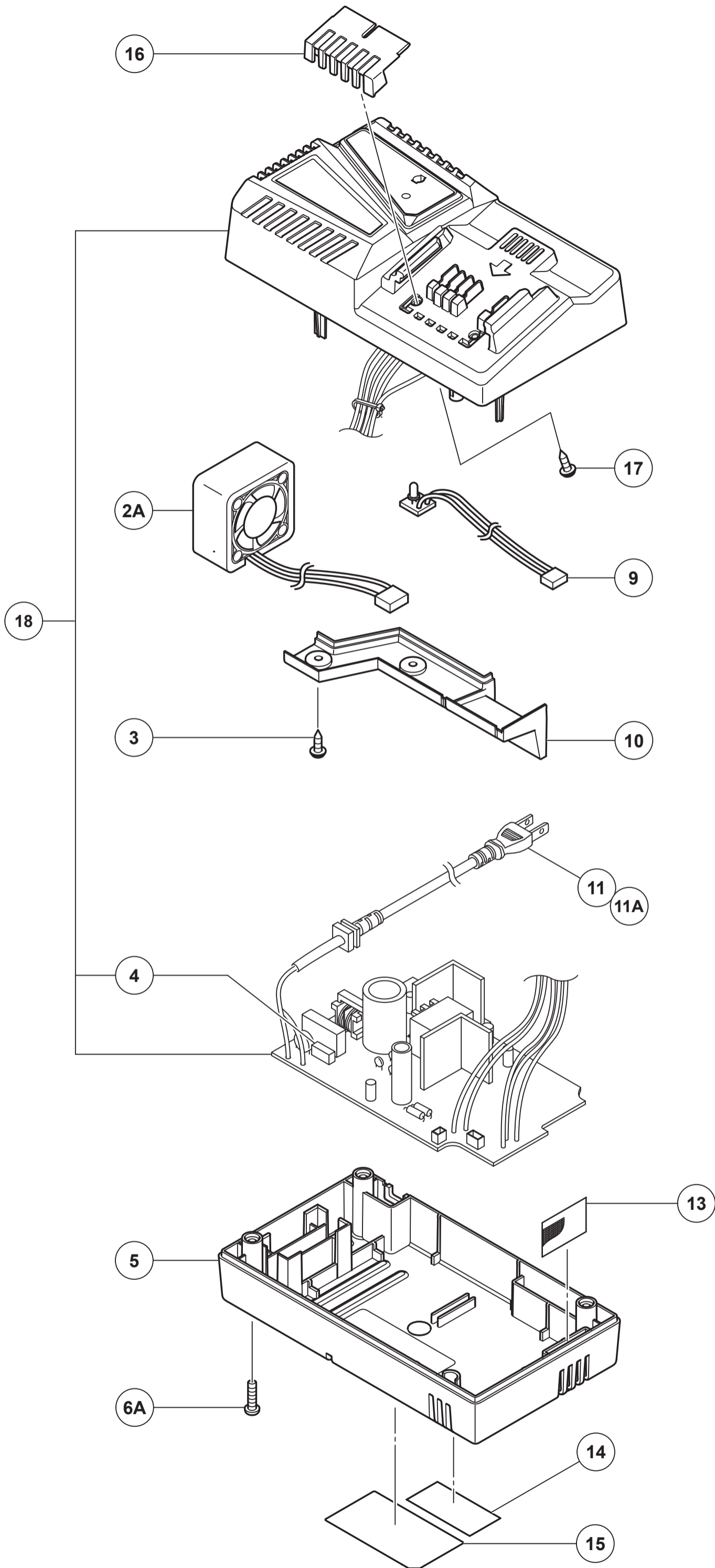


HIKOKI

CORDLESS IMPACT WRENCH WR18DH

Item No.	Code No.	Description	No. Used	Remarks
1	380301	FRONT CAP	1	
2	380302	PROTECTOR	1	
3	380303	SEAL LOCK HEX. SOCKET HD. BOLT M5X25	4	
4	380305	HAMMER CASE	1	
5	380306	PACKING	1	
6	380307	THRUST DAMPER	1	
7	380308	WASHER (F)	1	
8	380309	ANVIL ASS'Y	1	INCLUD.9,10
9	370951	FRICTION RING (B)	1	
10	315382	O-RING (P-8)	1	
11	959150	STEEL BALL D6.35 (10 PCS.)	2	
12A	381210	HAMMER	1	
13	959148	STEEL BALL D3.175 (10 PCS.)	30	
14A	381211	WASHER (J)	1	
15	380312	HAMMER SPRING	1	
16	380313	SPINDLE	1	
17	380314	IDLE GEAR SET (3 PCS.)	3	
18	319914	NEEDLE ROLLER	3	
19	339250	TAPPING SCREW (W/FLANGE) D4X20	9	
20		NAME PLATE	1	
21	380315	RETAINING RING D47	1	
22	380316	RING GEAR	1	
23	319911	WASHER (E)	1	
24	323118	BALL BEARING 6901VV-N	1	
25	380317	DAMPER (B)	2	
26	380319	INNER COVER	1	
27	361226	ROTOR PINION ASS'Y	1	INCLUD.28
28	380320	BALL BEARING 625DD	2	
*29	380322	HOUSING PLATE SET	1	
*29	380322M	HOUSING PLATE SET	1	FOR USA,CAN
30	327001	TRUSS HD. SCREW M4 (BLACK)	1	
31	372229	HOOK	1	
32	370321	DAMPER (A)	2	
33	373041	REAR BUMPER	2	
34	306952	STRAP (BLACK)	1	
35	380323	FELT	1	
36	341168	WIRING ASS'Y	1	INCLUD.38
37	378619	PUSHING BUTTON	1	
38	378620	DC-SPEED CONTROL SWITCH	1	
*39	378683	BATTERY BSL 1850MA (EUROPE,AUS,NZL)	2	INCLUD.502
*39	378682	BATTERY BSL 1850MA (CHN)	2	INCLUD.502
*39		BATTERY BSL 1850MA (TPE)	2	
				INCLUD.502
*39		BATTERY BSL 1850MA (THA)	2	
				INCLUD.502
*39	378679	BATTERY BSL 1840M (EUROPE,AUS,NZL)	2	INCLUD.502
*39	378681M	BATTERY BSL 1840M (USA,CAN)	2	INCLUD.502
		STANDARD ACCESSORIES		
501		CHARGER (MODEL UC 18YFSL)	1	
502	329897	BATTERY COVER	1	
503	380300	INNER TRAY	1	
504	336471	CASE ASS'Y (STACKABLE 2)	1	INCLUD.505-507
505	336472	LATCH	4	

* ALTERNATIVE PARTS



HIKOKI

CHARGER

Item No.	Code No.	Description	No. Used	Remarks
2A	379428	FAN	1	
3	327174	TP TAPPING SCREW D3X8	4	
4	332540	FUSE (T3.15A/250V)	1	
5	336270	CASE (B)	1	
6A	376623	TP. TORX SCREW D3X18	4	
9	336276	LED-PRINTED CIRCUIT BOARD	1	
10	336271	AIR DUCT	1	
*11	336281	CORD	1	FOR GBR, UAE, HKG, SAU
*11	336283	CORD	1	FOR SIN, VIE, IND, KOR
*11	336285	CORD	1	FOR BRA
*11	336278	CORD	1	FOR CHN
*11A	500524Z	CORD	1	
*11A	376624	CORD	1	FOR USA, CAN, MEX
*11A	500521Z	CORD (TAIWAN)	1	FOR TPE
*11A	337907	CORD	1	FOR AUS, NZL
13	336275	FILTER	1	
14		NAME PLATE	1	
14		FOR USA, CAN	1	
15		NAME PLATE	1	
15		EXCEPT FOR USA, CAN	1	
16	338715	COVER	1	
17	339341	TAPPING SCREW (W/FLANGE) D2X8 (BLACK)	2	
*18	379427	CASE (A).PCB ASS'Y 220V-240V	1	INCLUD.4
*18	379424M	CASE (A).PCB ASS'Y 120V	1	INCLUD.4 FOR USA, CAN, MEX
*18	379426	CASE (A).PCB ASS'Y 110V	1	INCLUD.4 FOR TPE

* ALTERNATIVE PARTS